

Press release

Press release 2-stage & 4-stage Telescopic Actuators

Telescopic Actuators from A.MANNESMANN for Enhanced Printing Performance

The high-precision telescopic actuators represent a significant advancement in 3D printing that has been specially developed to meet the high demands of modern Additive Manufacturing. The machines enable a significant increase in print volume without requiring additional space for machines.

Space-Saving Solutions with Maximum Space Efficiency

Space is a decisive factor in these applications. Ball screw drives often reach their limits when it comes to realising long travel distances in limited spaces. The A-MANNESMANN telescopic actuators offer a solution here: The 2-stage models enable a space gain of up to 262 %, while the 4-stage variants even achieve a space gain of up to 386 %. This high space efficiency makes the telescopic actuators ideal for precise movements in confined spaces.

Technical Excellence for Demanding Applications

The telescopic actuators set new standards in terms of technology and compactness. They have telescopic ball screws made from precision-ground double nuts and ball screws of accuracy class IT3. This design guarantees outstanding positioning and repeat accuracy, ideal for precise applications such as 3D printing. Thanks to simultaneously expanding threaded stages and a constant torque over the entire travel distance is realised, resulting in stable operating temperatures and long-term reliability.

Flexibility and Adaptability for Various Applications

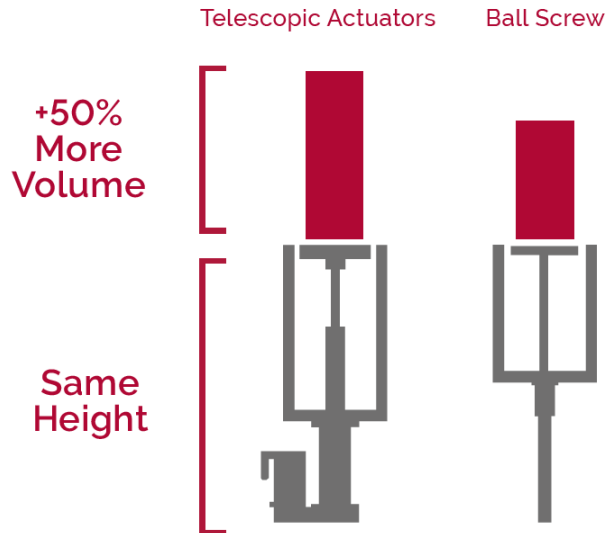
The telescopic actuators are characterised by their flexibility of use. They are suitable for exact positioning as well as pressing and joining tasks with direct force-displacement evaluation. Standard sizes provide an insight into the performance spectrum of the telescopic actuators. Reject ratios, drives and the connections are customised to your application.

Efficient Solutions for Modern Machinery

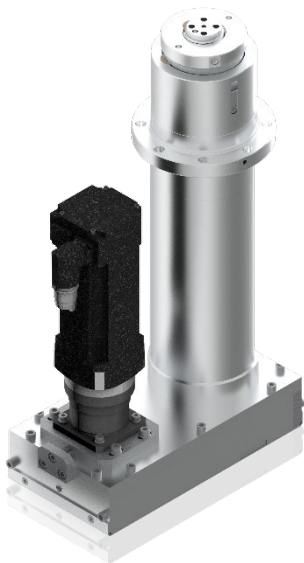
These telescopic actuators offer space-saving, precise and energy-efficient solutions for mechanical engineering and can be customised for various applications. Their technical features and practical benefits make them a valuable component for projects where precision, efficiency and optimum space utilisation are crucial.

Press release

2-stage & 4-stage Telescopic Actuators



2-stage Actuators



4-stage Actuators



SCHNEEBERGER Group

Since 2017, A.MANNESMANN, with its telescopic actuators and ball screws, has been a proud member of SCHNEEBERGER, a global OEM supplier serving industries such as machine tools, semiconductors, medical technology and more. It relies on its linear guides, measuring systems, gear racks, linear tables, positioning systems and mineral casting. SCHNEEBERGER is known for excellence and innovation and is committed to delivering high-performance solutions that drive industrial progress.